

Model P231
 24mm Rotary Potentiometer
 Conductive Plastic Element
 100,000 Cycle Life
 Metal shaft / Bushing
 RoHS Compliant



MODEL STYLE

Side Adjust , Solder Lugs

P231

ELECTRICAL¹

| | |
|-----------------------------------|-----------------------------|
| Resistance Range, Ohms | 500-1M |
| Standard Resistance Tolerance | ± 20% |
| Residual Resistance | 20 ohms max. |
| Input Voltage, maximum | 500 Vac max. |
| Power rating, Watts | 0.5W- B taper, 0.25W-others |
| Dielectric Strength | 500Vac, 1 minute |
| Insulation Resistance, Minimum | 100M ohms at 250Vdc |
| Sliding Noise | 100mV max. |
| Actual Electrical Travel, Nominal | 260° |

MECHANICAL

| | |
|-------------------------|-------------------|
| Total Mechanical Travel | 300°± 10° |
| Static Stop Strength | 70 oz-in |
| Rotational Torque | 0.5 to 1.25 oz-in |

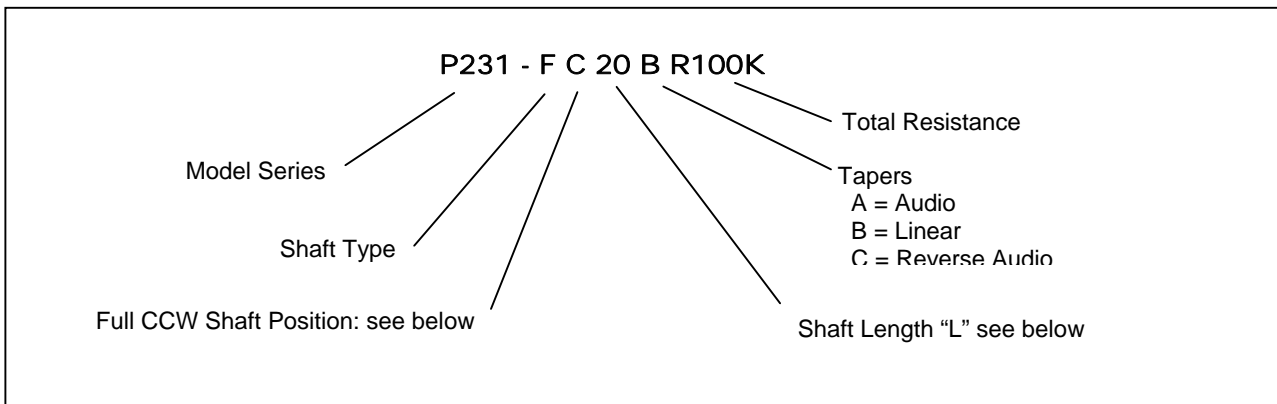
ENVIRONMENTAL

| | |
|-----------------------------|----------------|
| Operating Temperature Range | -20°C to +70°C |
| Rotational Life | 100,000 cycles |

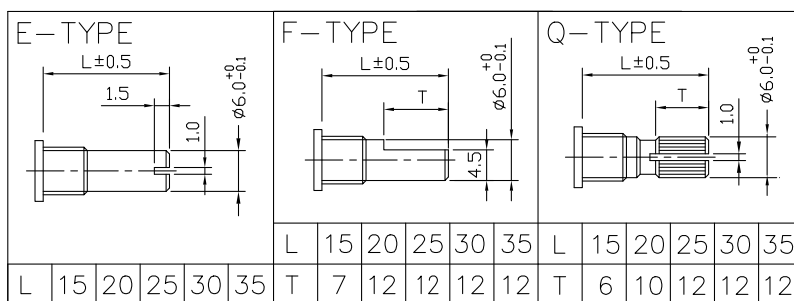
¹ Specifications subject to change without notice.

Model P231

ORDERING INFORMATION²

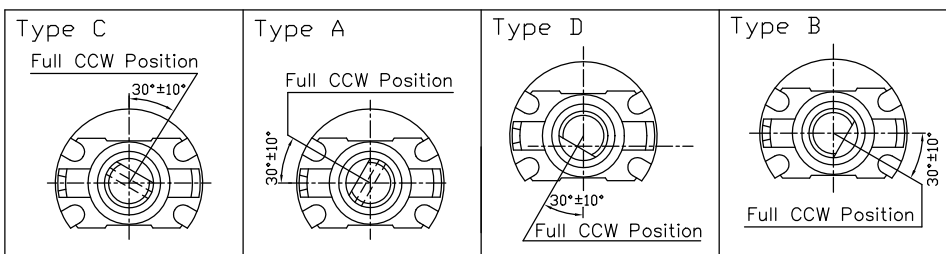


Shaft Types



Shaft Position (F-Type Shaft)

Dashed lines on Type "C" and Type "A" shows position of adjustment slot for E-Type and Q-Type shafts



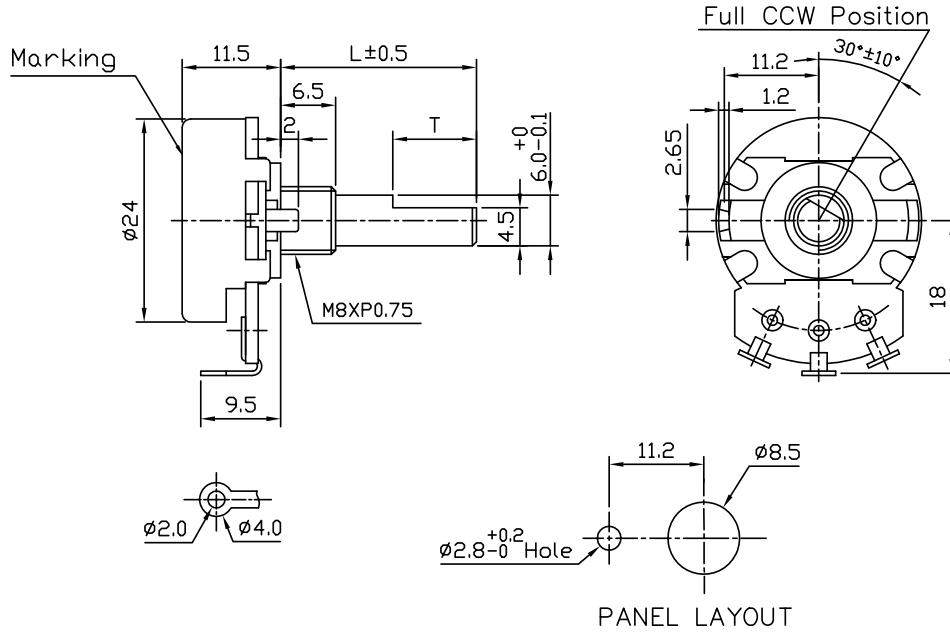
STANDARD RESISTANCE VALUES, OHMS

500 1K 2K 5K 10K 20K 50K 100K 200K 500K 1MEG

² Contact our customer service for custom designs and features.

Model P231

OUTLINE DRAWING



CIRCUIT DIAGRAM

